

## FITTING INSTRUCTION

Clamp mark in acc. with		Cables joining
ISO	PN	
1	L	Left directional lights
2	+	Rear fog lights
3	31	Ground
4	R	Right directional lights
5	58R	Right side parking lights
6	54	Stoplights
7	58L	Left side parking lights

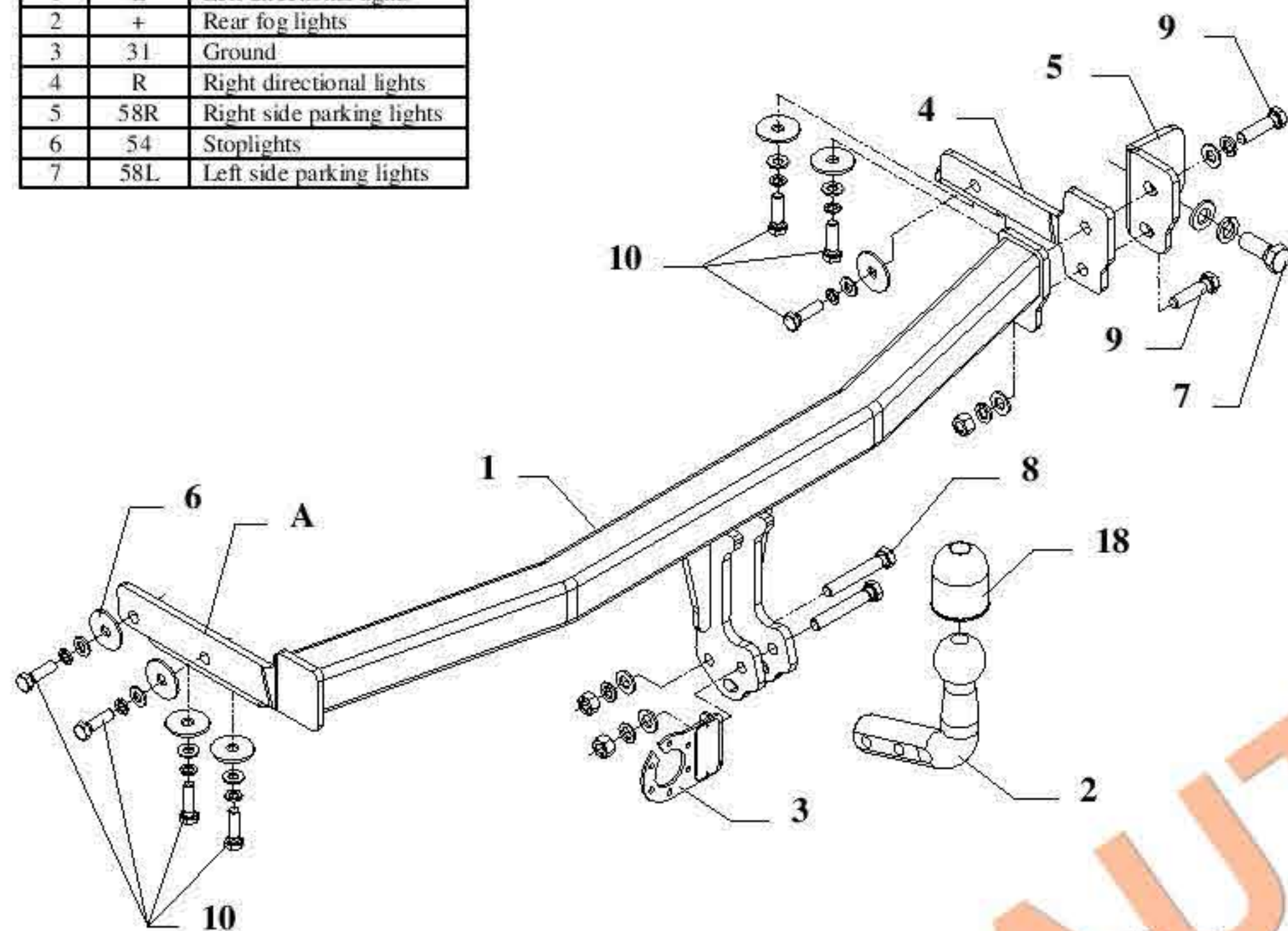


Fig. 1

This towbar is designed to assembly in following car: **NISSAN ALMERA, 3/5 door, (N16)**, produced since 03.2000 till 2006, catalogue number **V49** and is prepared to tow trailers max total weight **1500 kg** and max vertical load **75 kg**.

*From manufacturer*

Thank you for buying our product. Their reliability has been confirmed in many tests. Reliability of towbar depends also on correct assembly and right operation. For this reasons we kindly ask to read carefully this instruction and apply to hints.

*The towbar should be install in points described by a car producer.*

## INSTRUCTIUNI MONTAJ

1. Demontați bara de protecție și toba de eșapament.
2. Colțar dreapta diapozitiv membru al șasiului (poz. 4) și șurub lejer cu șuruburi M10x35mm (poz. 10) prin găurile originale.
3. Pune-o parte principală a carligul de remorcare (poz. 1) (partea A, membru șasiu din stânga) și șurub vag cu șuruburi M10x35 și șurub împreună cu consola montate (poz. 4) și element de unghi (poz. 5) cu ajutorul șuruburilor M12x45mm (poz. 9), așa cum se arată în Fig. 1.
4. Element unghi (poz. 5) cu șurub cu șurub M16x40mm - poz. 7 (în loc de mâner de remorcare original).
5. Reasambla de Eșapament Toba de protecție și Bara (CE tăiați Dupa SAU fragmentul) vezi fig. 2
6. Fix-remorcare-bilă (poz. 2) și placa de soclu (poz. 3), cu ajutorul șuruburilor M12x75mm (poz. 8) de la accesorii.
7. Strângeți toate șuruburile conform cuplului indicat în tabel.

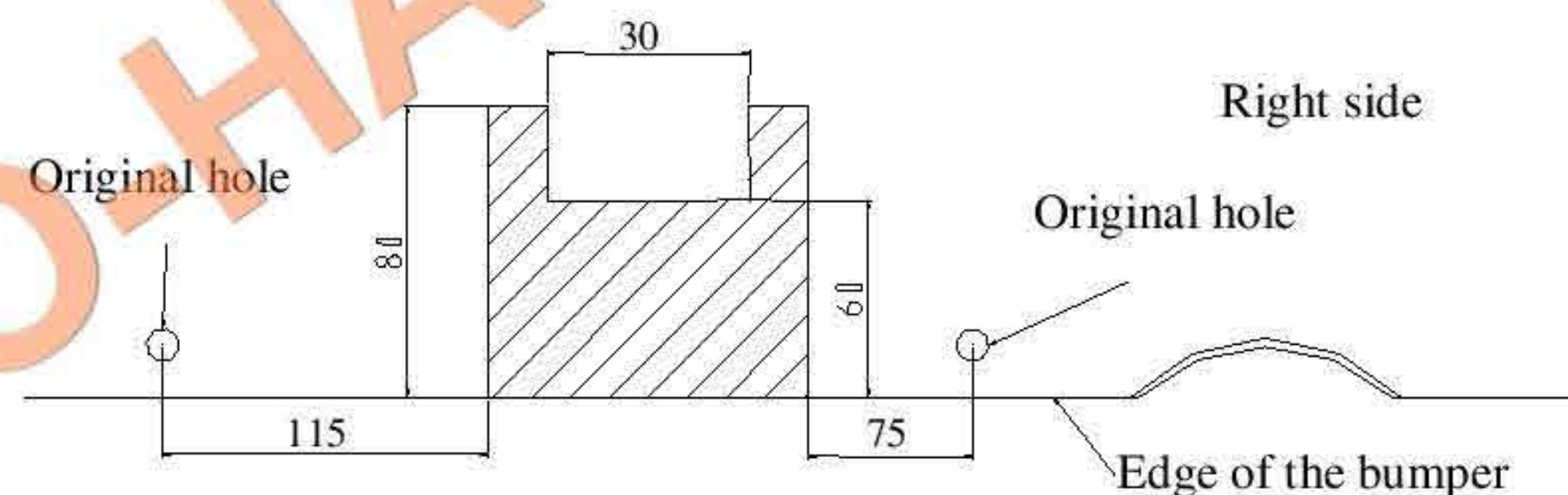


Fig.2

8. Conectați cablurile electrice de priză cu 7 poli de conform instrucțiunilor mașinii. (Recomandat pentru a face la stația de service autorizat).

Torque settings for nuts and bolts (8,8):	
<b>M 8 - 25 Nm</b>	<b>M 10 - 55 Nm</b>
<b>M 12 - 85 Nm</b>	<b>M 14 - 135 Nm</b>

### NOTE

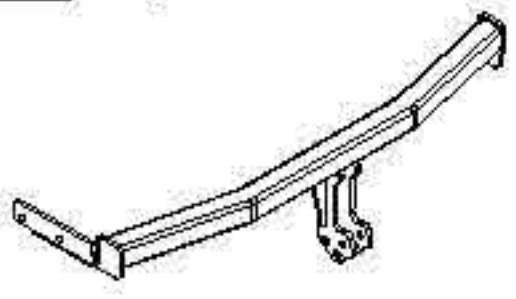


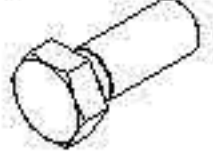


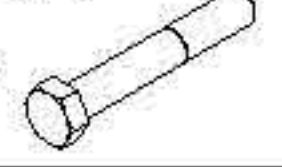

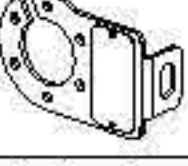
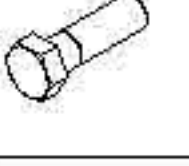

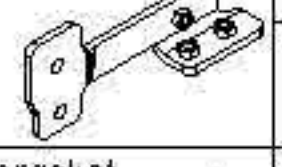

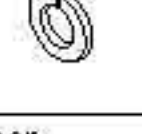



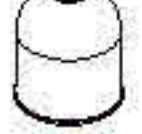
After install the towbar you should get adequate note in registration book (at authorised service station).The car should be equipped with:

- Indicators
- Tow mirrors

After 1000km of exploitation check all bolts and nuts. The ball of towbar must be always kept clear and conserve with a grease.



## Towbar accessories:

Pos. 1 Name: Main bar Quantity: 1 	Pos. 6 Name: Washer Quantity: 7 Dim.: Ø35xØ12x3mm 	Pos. 12 Name: Plain washer Quantity: 1 Dim.: Ø 17 mm 
	Pos. 7 Name: Bolt 8,8 B Quantity: 1 Dim.: M16x40mm 	Pos. 13 Name: Plain washer Quantity: 4 Dim.: Ø 13 mm 
Pos. 2 Name: Tow ball Quantity: 1 	Pos. 8 Name: Bolt 8,8 B Quantity: 2 Dim.: M12x75mm 	Pos. 14 Name: Plain washer Quantity: 7 Dim.: Ø 10,5 mm 
Pos. 3 Name: Socket plate Quantity: 1 	Pos. 9 Name: Bolt 8,8 B Quantity: 2 Dim.: M12x45mm 	Pos. 15 Name: Spring washer Quantity: 1 Dim.: Ø 17 mm 
Pos. 4 Name: Right bracket cpl. Quantity: 1 	Pos. 10 Name: Bolt 8,8 B Quantity: 7 Dim.: M10x35mm 	Pos. 16 Name: Spring washer Quantity: 4 Dim.: Ø 12,2 mm 
Pos. 5 Name: Right bracket Quantity: 1 	Pos. 11 Name: Nut 8 B Quantity: 3 Dim.: M12 	Pos. 17 Name: Spring washer Quantity: 7 Dim.: Ø 10,2 mm 
		Pos. 18 Name: Ball cover Quantity: 1 

**S.C. AUTO GEDAL IMPEX S.R.L.**

Tel: +40 745.805.990 / +40 737.122.471

Email: autogedal@gmail.com

office@auto-hak.ro

Web Page: [www.auto-hak.ro](http://www.auto-hak.ro)

## Towing hitch (without electrical set)

Class: **A50-X** Cat. no. **V49**

Designed for:

Manufacturer: **NISSAN**

Model: **ALMERA**

Type: **3/5 door, N16**

produced since 03.2000 till 2006

Technical data:

**D-value: 8,0 kN**

maximum trailer weight: **1500 kg**

maximum vertical cup load: **75 kg**

**Approval number acc. to regulations EKG/ONZ 55.01: E20-55R-01 1244**

## Foreword

This towbar is designed according to rules of safety traffic regulations. The towing hitch is a safety component and can be install only by qualified personnel. Any alteration or conversion of the towing hitch is prohibited and would lead to cancellation of design certification. Remove insulating compound and underseal from vehicle (if present) in the area of the matting surfaces of the towing hitch. The vehicle manufacturer's specifications regarding trailer load and max. vertical cup load are decisive for driving, and values for the towing hitch cannot be exceeded.

*D-value formula:*

$$\frac{\text{Max trailer weight [kg]} \times \text{Max vehicle weight [kg]}}{\text{Max trailer weight [kg]} + \text{Max vehicle weight [kg]}} \times \frac{9,81}{1000} = D \text{ [kN]}$$