



SKODA FABIA III 5D

Cat. no:

H24V



09.2014 →



E20-55R-01 4133



2h

D

6,7 kN

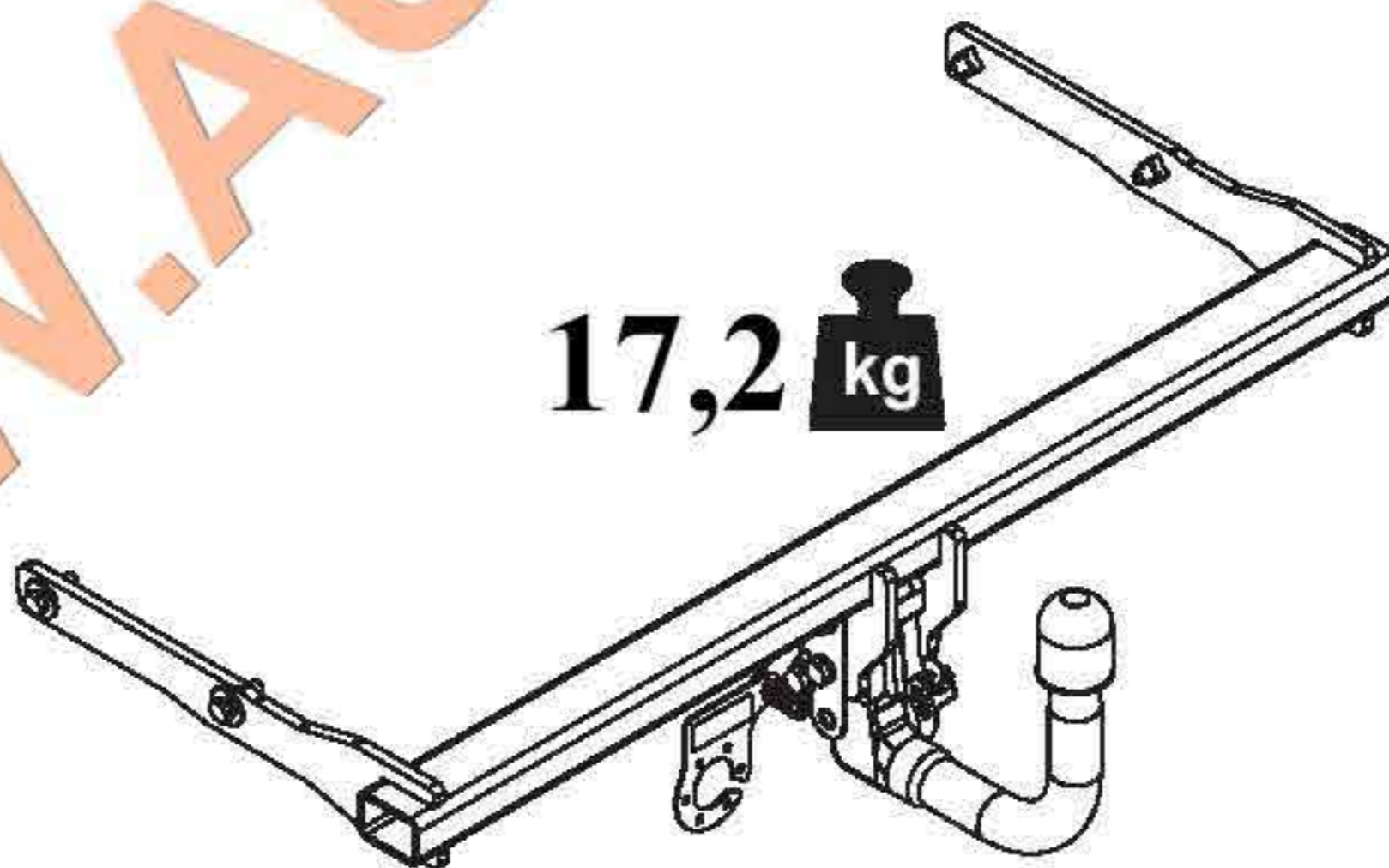


R=1200 kg



S=75 kg

17,2 kg



M6 - 11 Nm
M10 - 50 Nm
M14 - 138 Nm

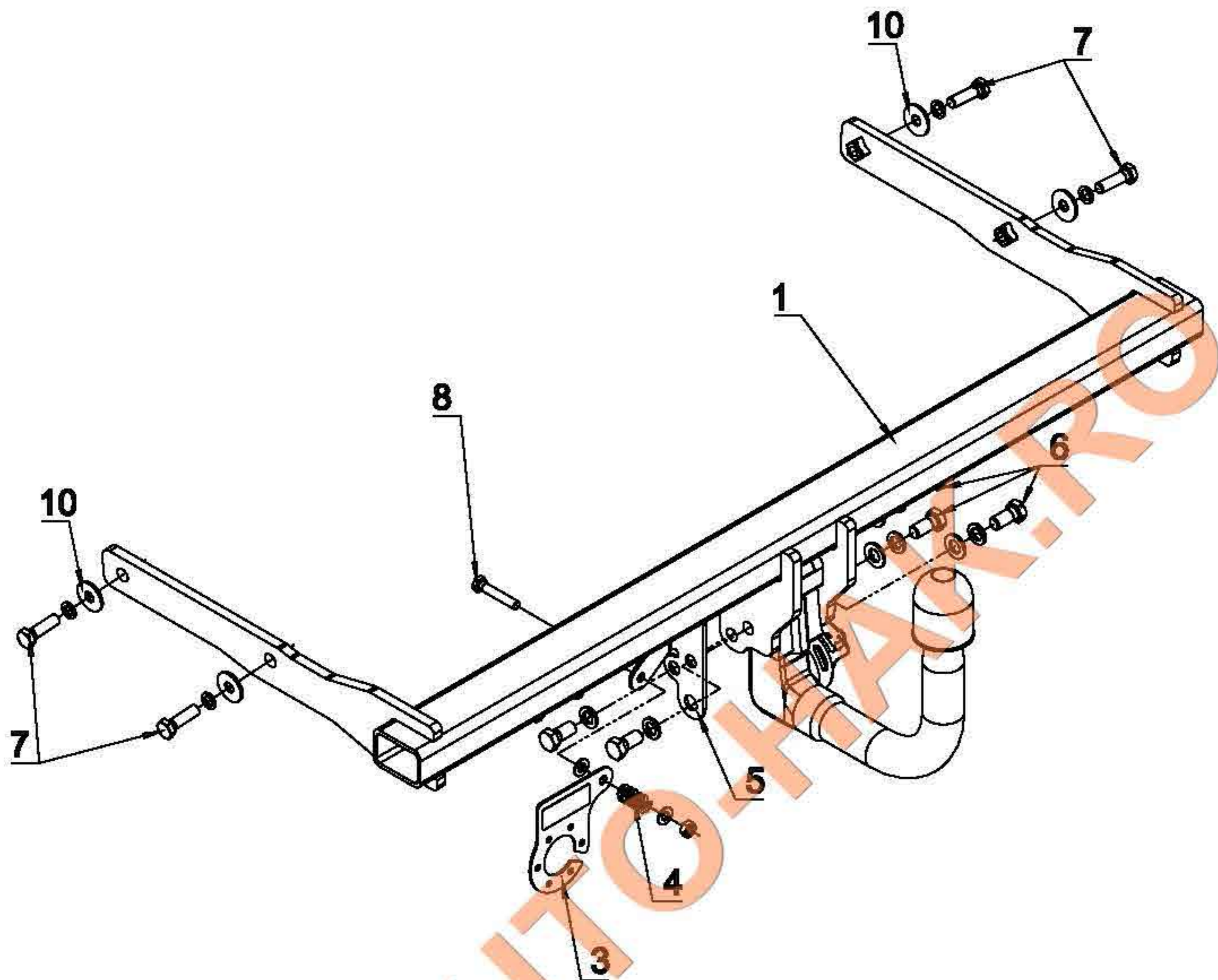
M8 - 25 Nm
M12 - 87 Nm
M16 - 210 Nm

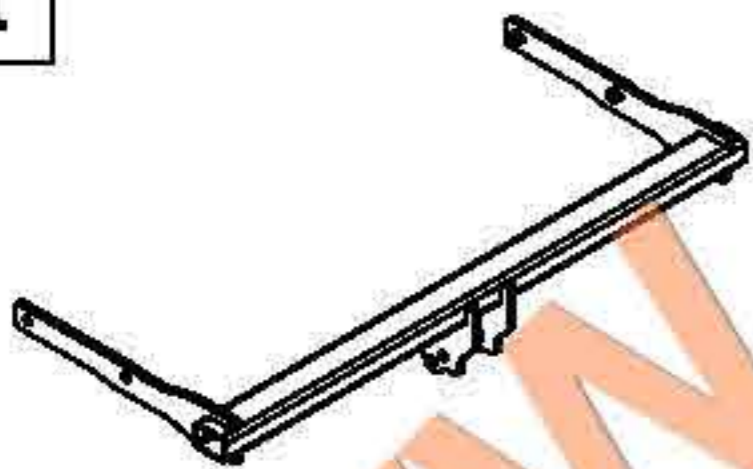











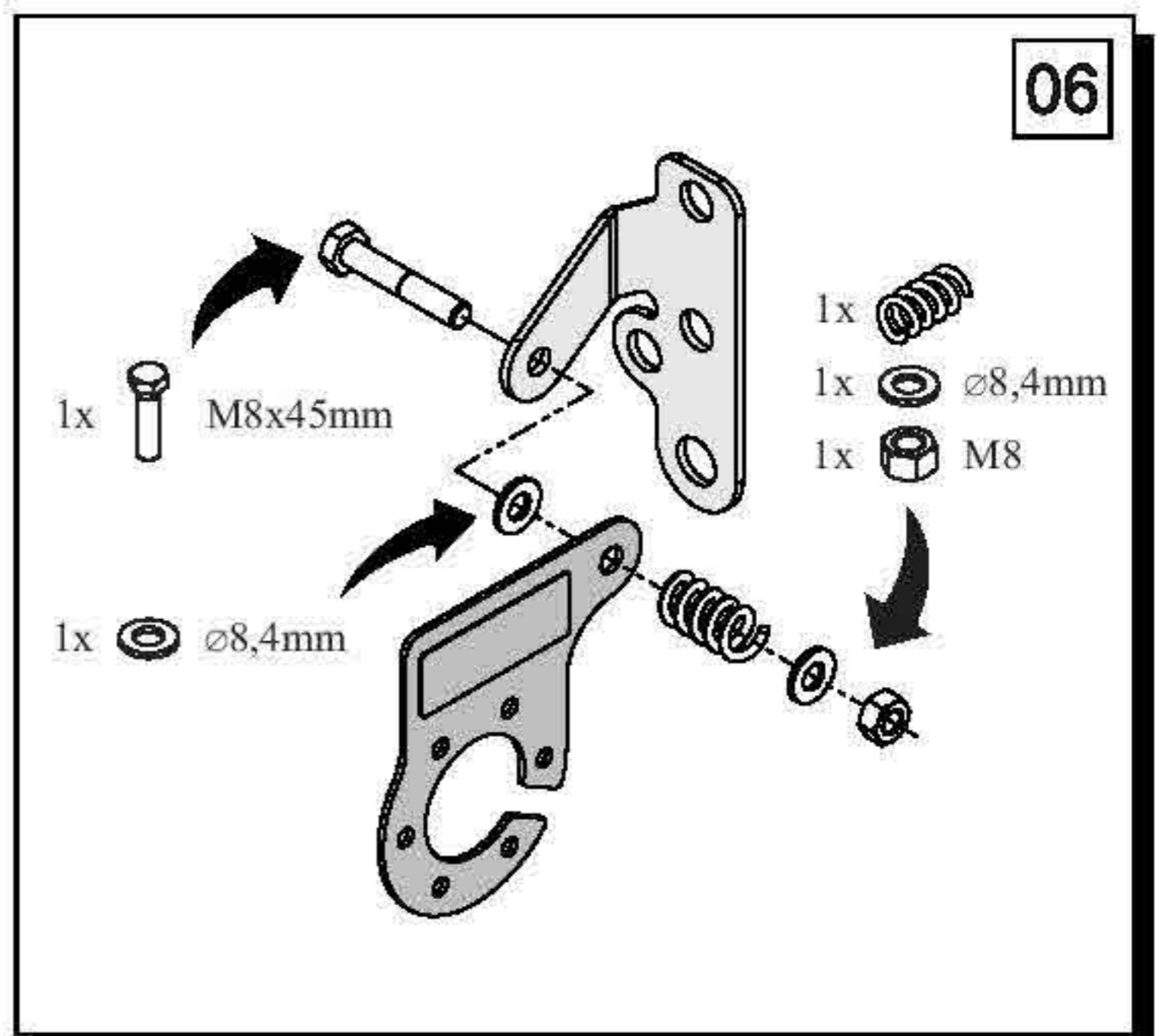
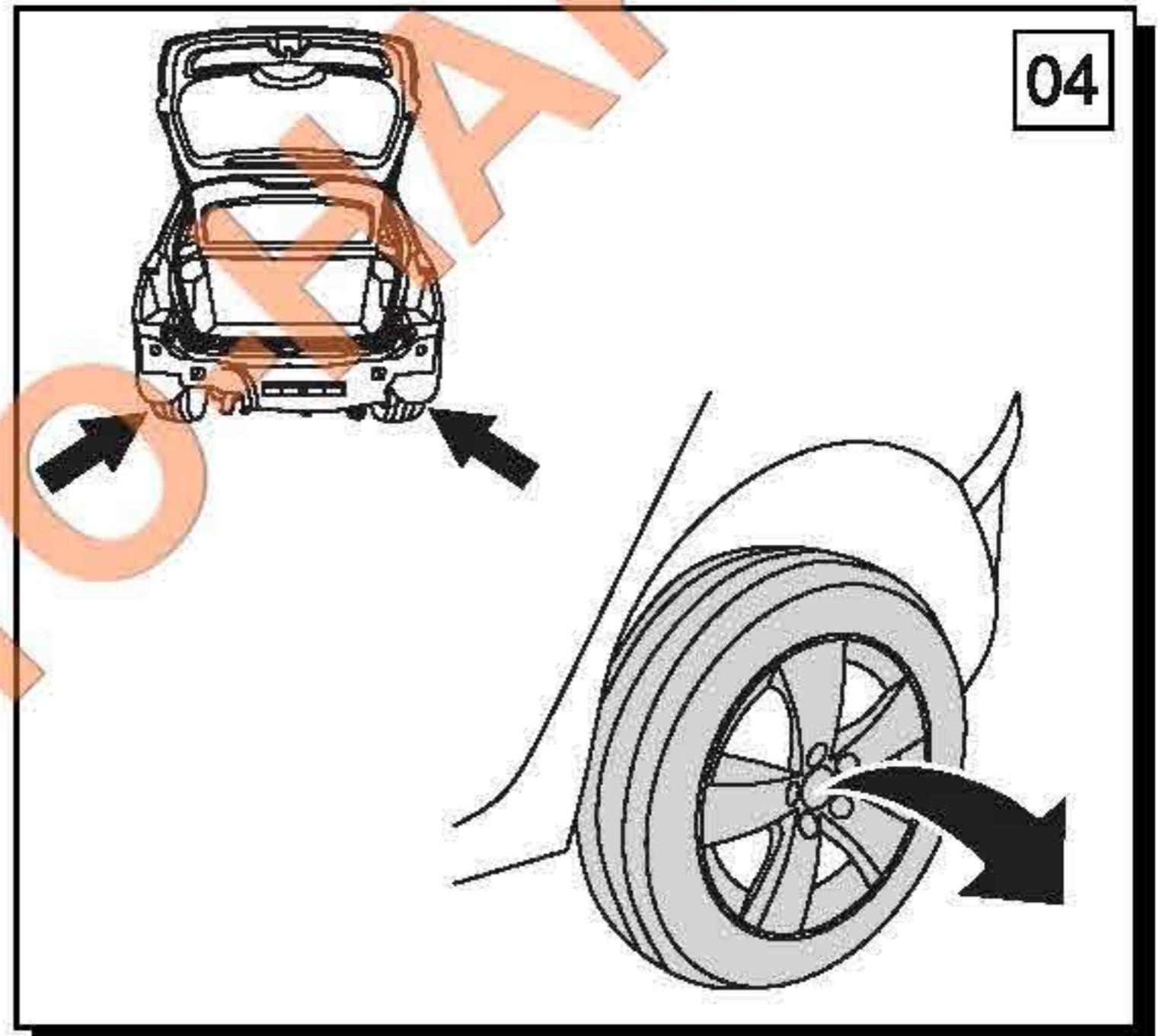
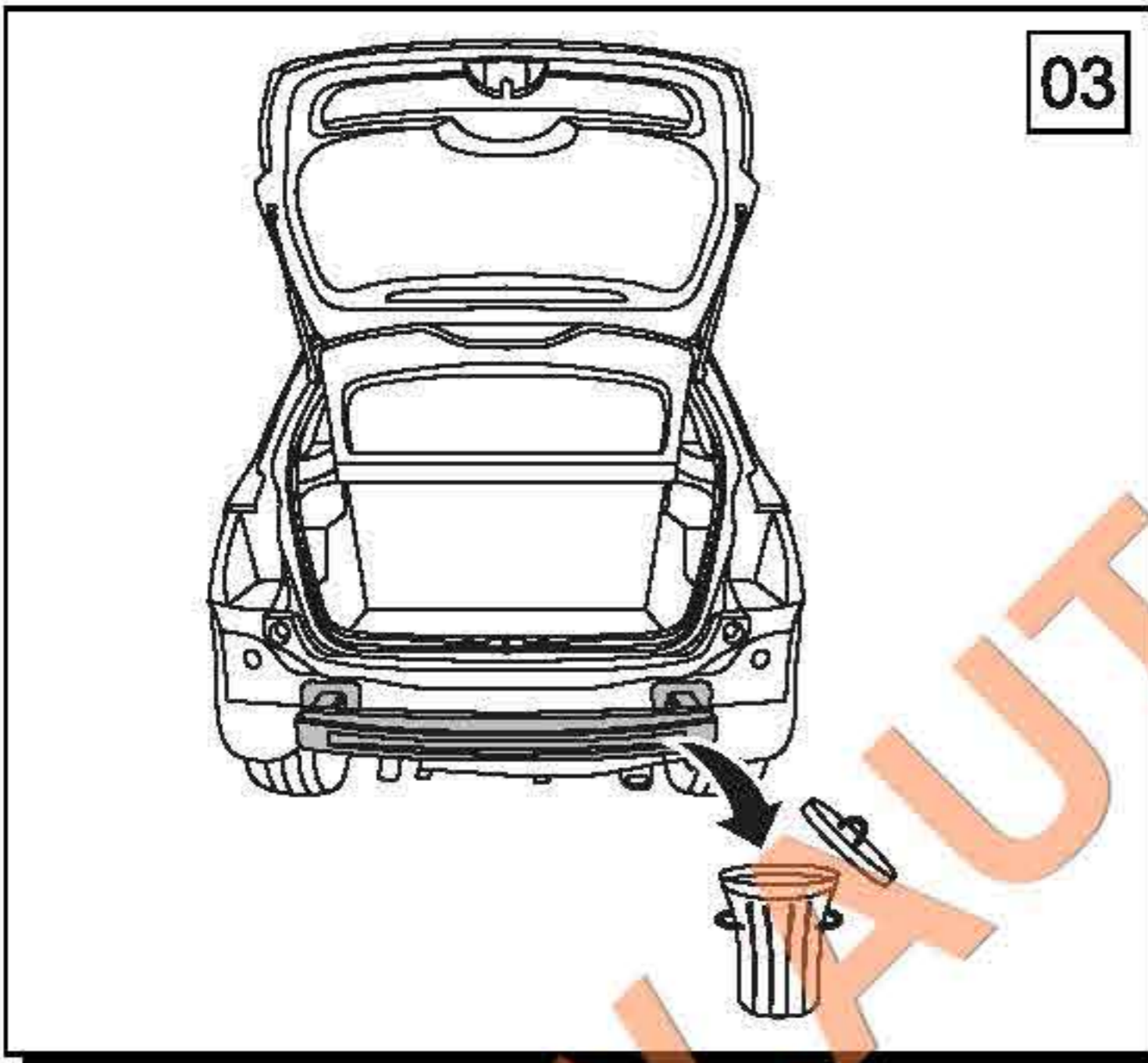
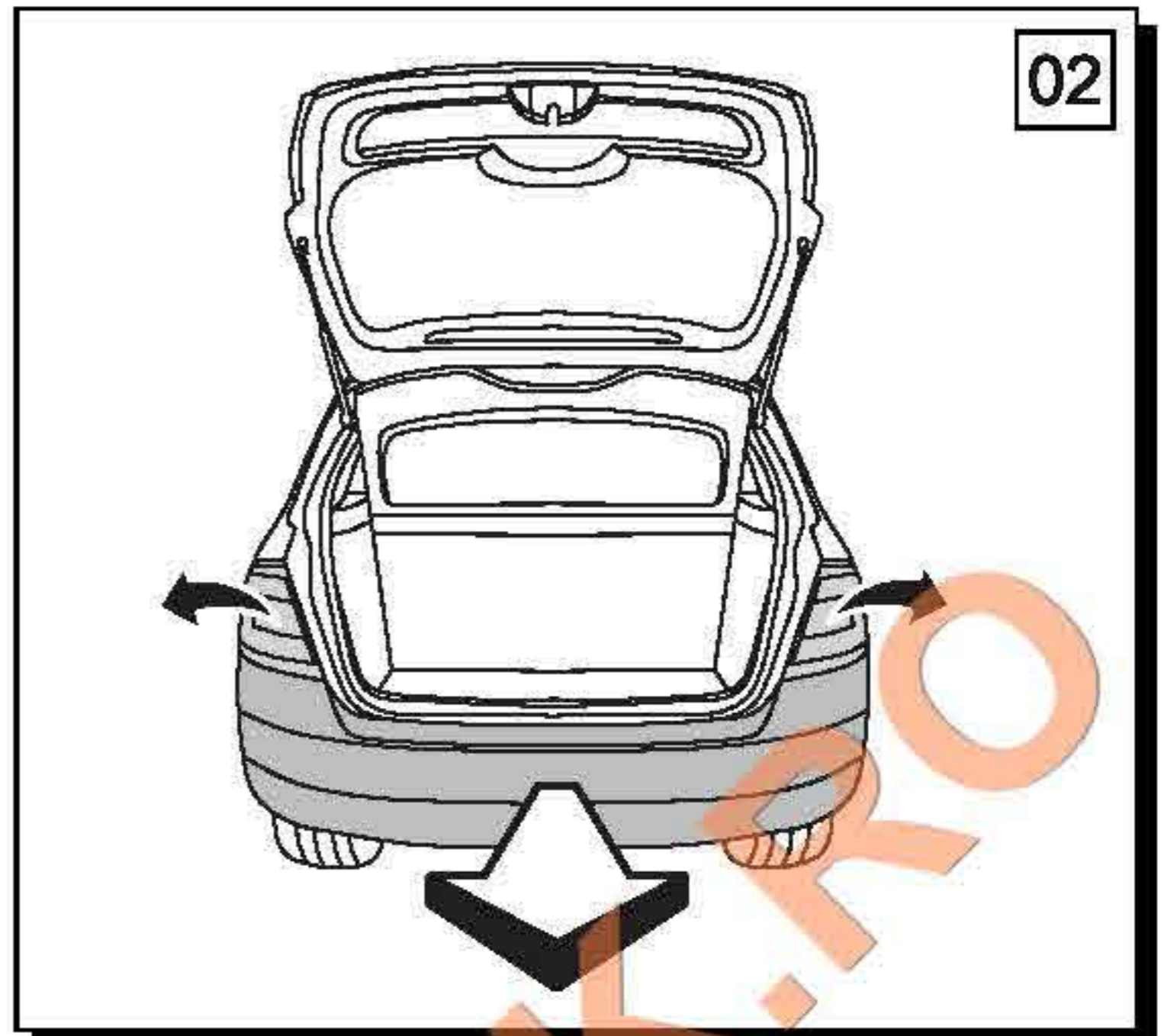
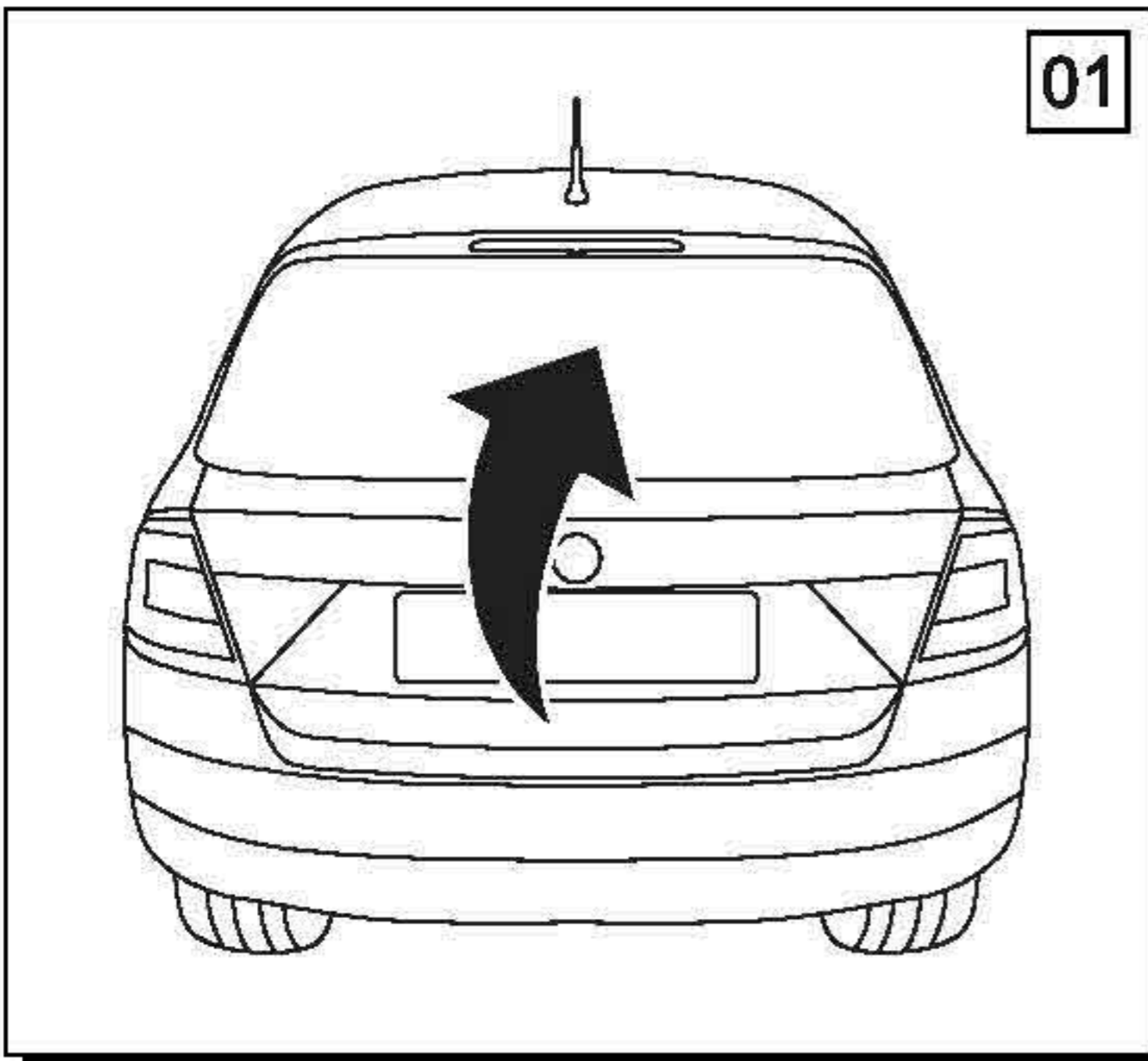
0 km



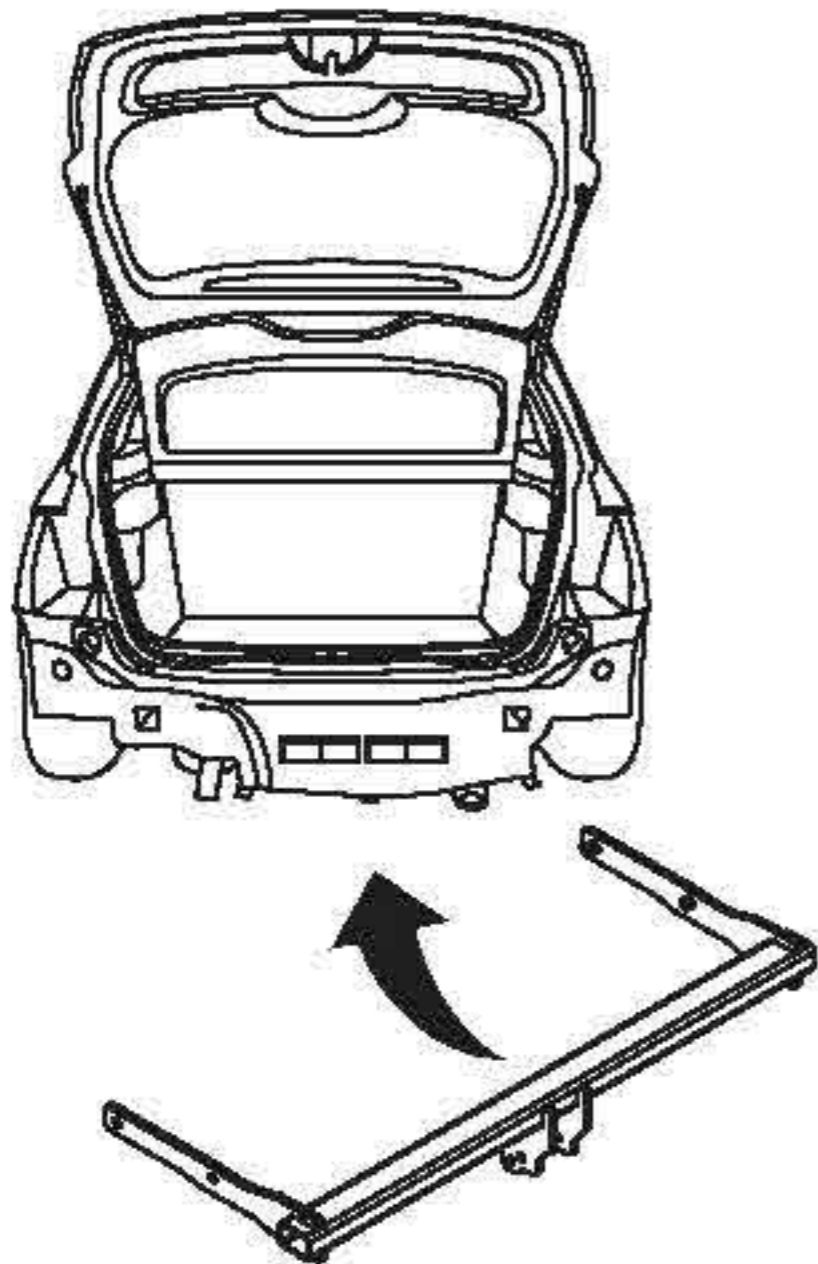
1000 km



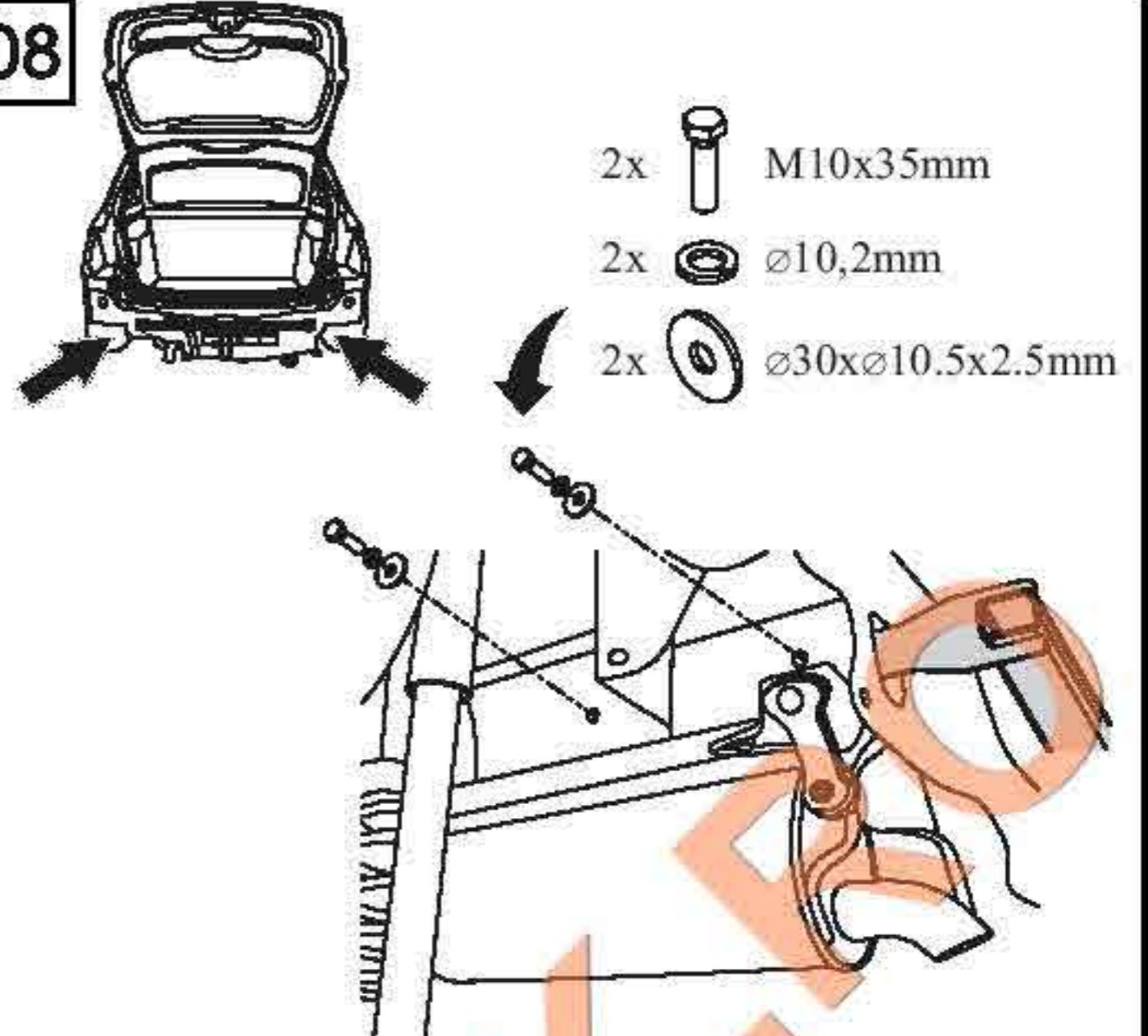
1		x1		6 M12x28	x6
2	 Art.nr-KL1H24V	x1		7 M10x35	x4
3	 Art.nr-BL1H24V	x1		8 M8x45	x1
4		x1		9 \varnothing 13	x3
5		x1		10 \varnothing 30x \varnothing 10.5x2.5 10 DIN 9021	x4
				11 \varnothing 8.5	x2
				12 \varnothing 12.2	x6
				13 \varnothing 10.2	x4
				14 M8	x1



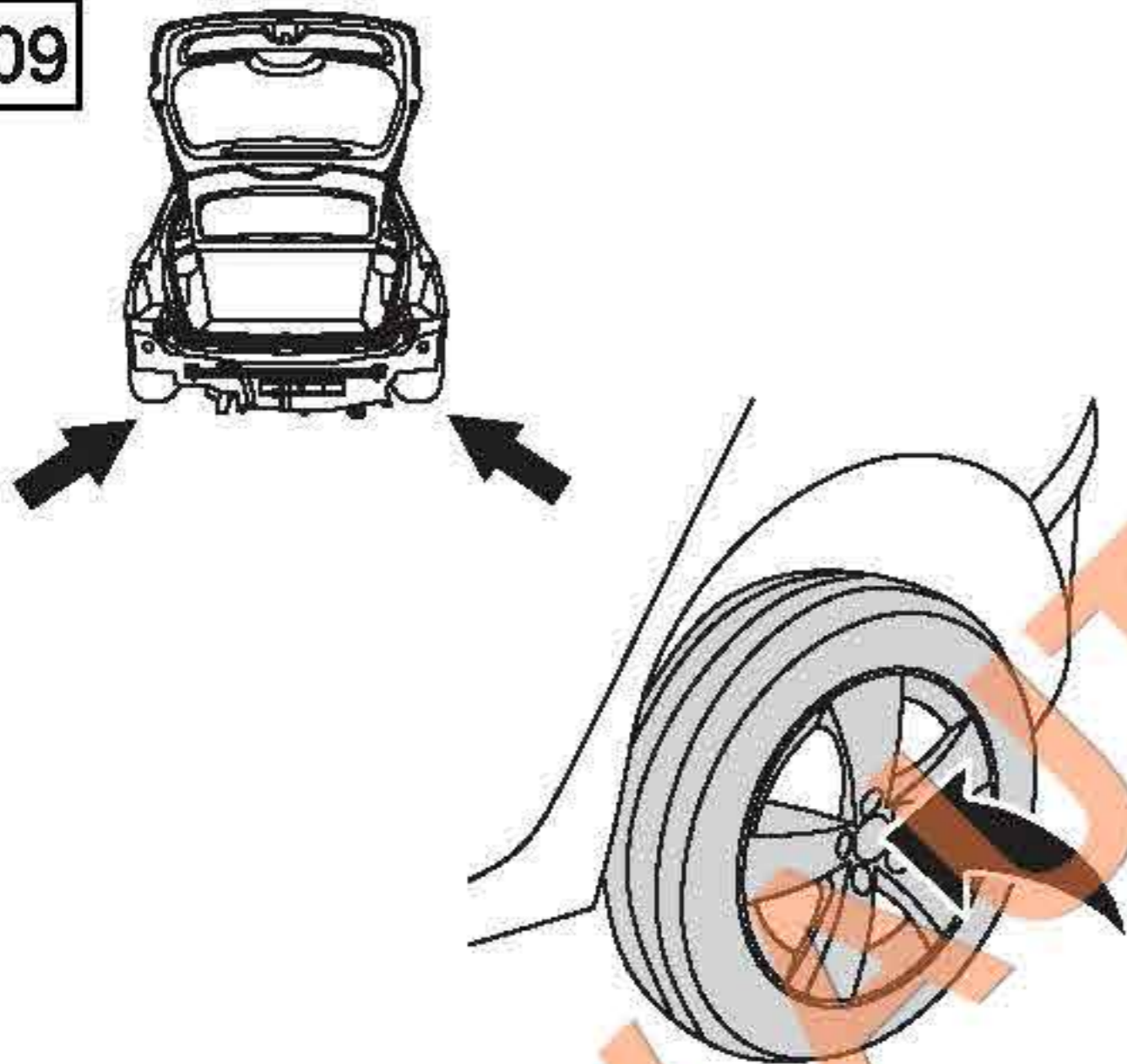
07



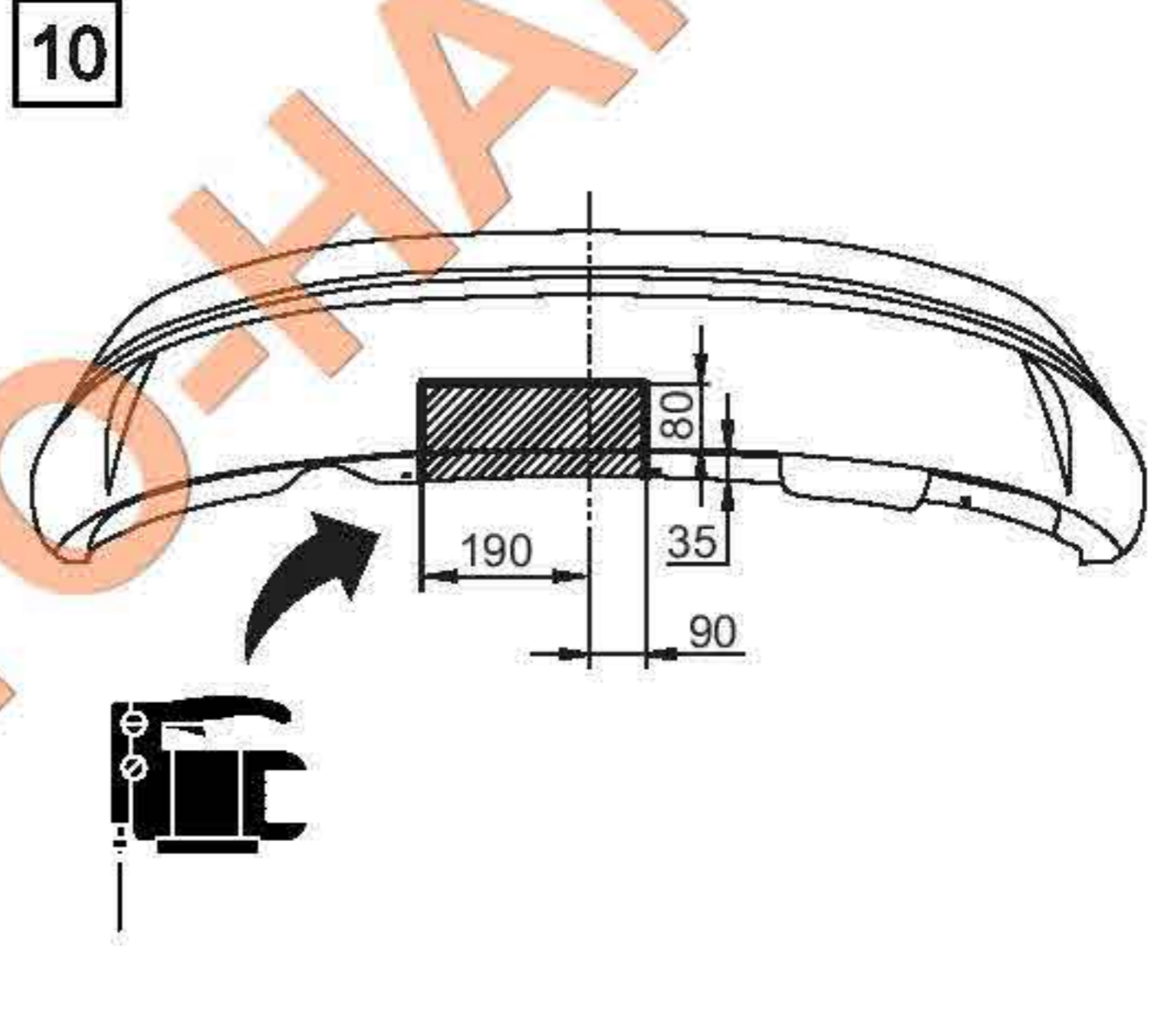
08



09



10



11



12

